

---

# Polyester CombiBox

---

## Applications





- Polyester GRP enclosure systems of polyester resin for industrial application
- Two level fitting possibility
- Combination of several enclosures by connecting flange

## Technical data

### Material:

glass fibre reinforced duroplastic Polyester

### Colour:

RAL 7000, squirrel grey

special colour on request

### Ingress protection:

IP 66, EN 60529

### Impact resistance:

7 Joule, EN 60079-0

### Flammability:

self-extinguishing, UL 94/V0

### Surface resistance:

$>10^{12}$  Ohm, IEC 60093

### Disruptive strength:

18 KV/mm, IEC 60243-1

### Insulation:

fully insulated to VDE 0100

### Toxicity:

halogen free

### Temperature range:

PU (polyurethane) seal: -40°C to +90°C

CR (chloroprene) seal: -40°C to +100°C

VMQ (silicone) seal (optional): -60°C to +130°C

### Including in delivery:

Enclosure consisting of lid and base with screws, individual system and height adjustment of mounting frame and mounting plate by 4 fixing elements

# Polyester CombiBox

## Product range

Order No.	Order No. EMC version	Type	Dimensions (mm)
<b>02.01 22 15</b>	<b>02.02 22 15</b>	CombiBox 1	177 x 177 x 145
<b>02.01 24 15</b>	<b>02.02 24 15</b>	CombiBox 2	360 x 177 x 145
<b>02.01 44 15</b>	<b>02.02 44 15</b>	CombiBox 3	360 x 360 x 145

## Accessories

<b>02.01 99 01</b>	Flange
<b>02.01 99 02</b>	Mounting frame 177 x 177 mm CombiBox 1
<b>02.01 99 03</b>	Mounting frame 177 x 360 mm CombiBox 2
<b>02.01 99 04</b>	Mounting frame 360 x 360 mm CombiBox 3
<b>02.01 99 05</b>	Mounting frame fastening set
<b>02.01 99 06</b>	Lid safety strip
<b>02.01 99 07</b>	Well nut set
<b>02.01 99 10</b>	Mounting plate CombiBox 1
<b>02.01 99 11</b>	Mounting plate CombiBox 2
<b>02.01 99 12</b>	Mounting plate CombiBox 3
<b>10.06 14 85</b>	DIN rail TS 35/7.5 160 mm
<b>10.06 14 86</b>	DIN rail TS 35/7.5 110 mm
<b>10.06 14 87</b>	DIN rail TS 35/7.5 145 mm
<b>10.06 14 88</b>	DIN rail TS 35/7.5 293 mm
<b>10.06 14 94</b>	Bearer plate CombiBox 110
<b>10.06 14 95</b>	Bearer plate CombiBox 360
<b>10.06 14 96</b>	Bearer plate CombiBox 360 long

## Terminal mounting

Make	Phoenix															Earthing bar 2.5 mm <sup>2</sup> with cable lug max. 10 mm <sup>2</sup>	Earthing screw M4 with cable lug max. 6 mm <sup>2</sup>	M6 with cable lug max. 35 mm <sup>2</sup>	Earth connections as required
	DIN rail TS 15	X	X	X															
DIN rail TS 35				X	X	X	X	X	X	X	X	X	X	X	X				
Voltage (V)	250	500	500	500	800	800	800	800	800	800	1000	1000	1000	1000	1000				
Current (A)	24	24	32	17,5	24	24	32	41	57	76	125	150	232	309	415				
Nom. cross section (mm <sup>2</sup> )	2,5	2,5	4	1,5	2,5	2,5	4	6	10	16	35	50	95	150	240				
Terminal width (mm)	5,2	5,2	6,2	4,2	5,2	5,2	6,2	8,2	10,2	12,2	16	20	25	31	36				
Terminal type																			
Type	MBK 2,5 E	MBK 3 / E-Z	MBK 5 / E-Z	UK 1,5 N	UK 2,5 N	UK 3 N	UK 5 N	UK 6 N	UK 10 N	UK 16 N	UK 35	UKH 50	UKH 95	UKH 150	UKH 240				
<b>02.01 22 15</b>	18	18	15	23	18	18	15	11	9	7	6								
<b>02.01 24 15</b>	53	53	45	66	53	53	45	34	27	22	18								
<b>02.01 44 15</b>	212	212	135	264	212	212	135	102	81	44	36	28	11	11					

Make	Weidmüller																		
	DIN rail TS 15				X	X	X	X											
DIN rail TS 35									X	X	X	X	X	X	X	X	X	X	X
Voltage (V)	400	400	400	400	250	250	400	500	800	800	800	1000	1000	1000	1000	1000	1000	1000	1000
Current (A)	32	32	32	17,5	17,5	24	32	24	24	32	41	57	76	125	150	192	232	269	309
Nom. cross section (mm <sup>2</sup> )	4	4	4	1,5	1,5	2,5	4	2,5	2,5	4	6	10	16	35	50	70	95	120	150
Terminal width (mm)	38	52	92	3,5	5,1	5,1	6,1	5,1	5,1	6,1	7,9	9,9	11,9	16	18,5	20,5	27	27	32
Terminal type																			
Type	BK 4 (4-pole)	BK 6 (6-pole)	BK 12 (12-pole)	WDU 1,5 / R 3,5	AKZ 1,5	AKZ 2,5	AKZ 4	WDU 2,5 N	WDU 2,5	WDU 4	WDU 6	WDU 10	WDU 16	WDU 35	WDU 50 N	WDU 70 N	WDU 70 / 95	WDU 95 / 120 N	WDU 120 / 150
<b>02.01 22 15</b>	2	1	1	18	23	18	15	18	18	15	11	9	7	6					
<b>02.01 24 15</b>	8	4	2	53	66	53	45	53	53	45	34	27	22	18					
<b>02.01 44 15</b>	16	8	4	212	264	212	135	212	212	135	102	81	44	36	14	13	10	10	

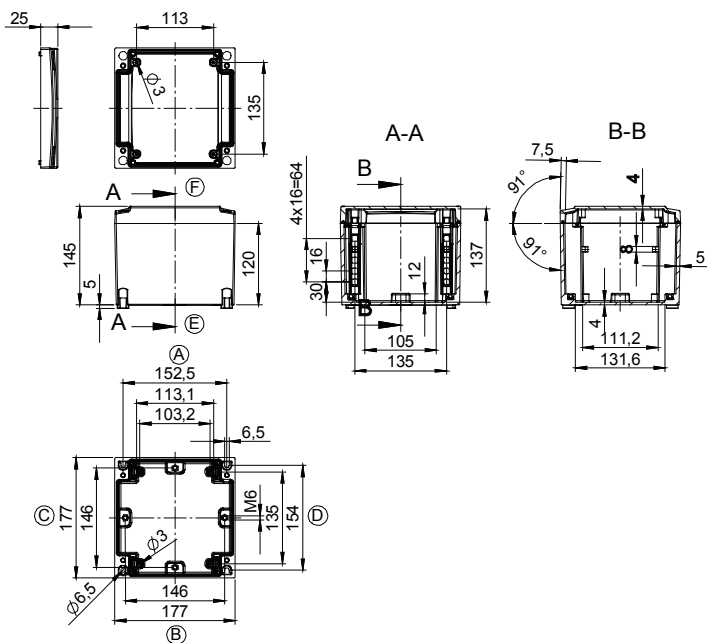
Earthing bar and earth connection see terminal mounting Phoenix

Type: **02.01 22 15**

External dimensions: **177 x 177 x 145 mm**

Weight: **1700 g**

DIN rail length in mm	max. fitting length in mm	Mounting plate (thickness in mm)	External mounting brackets	Lid safety strip	EMC version	Allen lid screws	Silicone lid seal	Sealable lid screws
TS 35								
152	115	1,5		•	•		•	



Maximum number of cable glands to DIN 50262\*

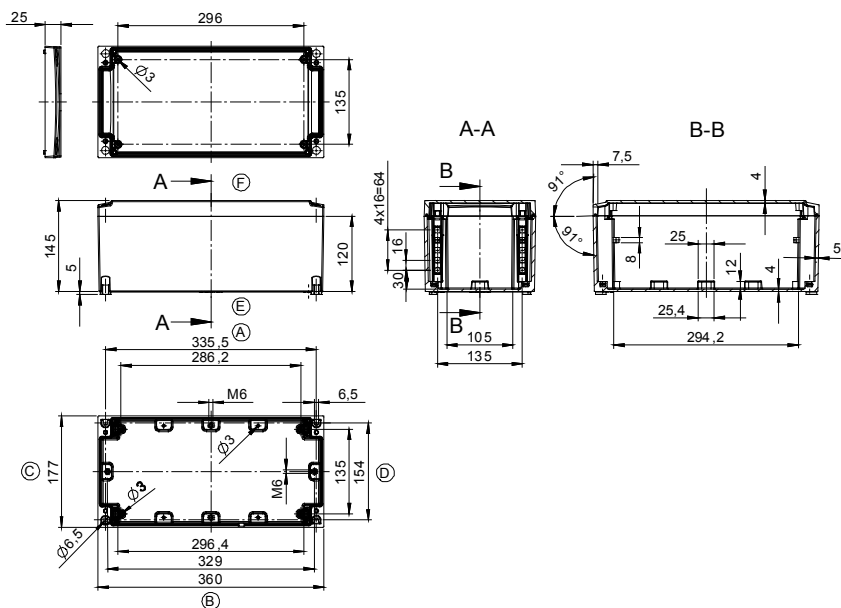
M	Corner dim.	Side		PG	Corner dim.	Side	
		A/B	C/D			A/B	C/D
12	17,25	36	36	7	17,25	36	36
16	25,30	16	16	9	21,85	20	20
20	27,60	12	12	11	25,30	16	16
25	37,95	6	6	13,5	27,60	12	12
32	48,30	4	4	16	31,05	10	10
40	60,95	2	2	21	37,95	6	6
50	69,00	1	1	29	48,30	4	4
63	74,75	1	1	36	60,95	2	2
				42	69,00	1	1
				48	74,75	1	1

Type: **02.01 24 15**

External dimensions: **360 x 177 x 145 mm**

Weight: **2681 g**

DIN rail length in mm	max. fitting length in mm	Mounting plate (thickness in mm)	External mounting brackets	Lid safety strip	EMC version	Allen lid screws	Silicone lid seal	Sealable lid screws
TS 35								
333	285	1,5		•	•		•	



Maximum number of cable glands to DIN 50262\*

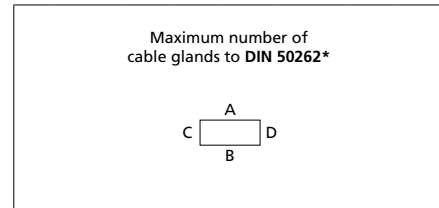
M	Corner dim.	Side		PG	Corner dim.	Side	
		A/B	C/D			A/B	C/D
12	17,25	109	36	7	17,25	109	36
16	25,30	50	16	9	21,85	65	20
20	27,60	40	12	11	25,30	48	16
25	37,95	21	6	13,5	27,60	40	12
32	48,30	12	4	16	31,05	32	10
40	60,95	9	2	21	37,95	21	6
50	69,00	5	1	29	48,30	12	4
63	74,75	4	1	36	60,95	7	2
				42	69,00	5	1
				48	74,75	4	1

Type: **02.01 44 15**

External dimensions: **360 x 360 x 145 mm**

Weight: **4025 g**

DIN rail length in mm	max fitting length in mm	Mounting plate (thickness in mm)	External mounting brackets	Lid safety strip	EMC version	Allen lid screws	Silicone lid seal	Sealable lid screws
TS 35								
333	285	1,5		•	•		•	



M	Corner dim.	Side		PG	Corner dim.	Side	
		A/B	C/D			A/B	C/D
12	17,25	109	109	7	17,25	109	109
16	25,30	50	50	9	21,85	65	65
20	27,60	40	40	11	25,30	48	48
25	37,95	21	21	13,5	27,60	40	40
32	48,30	12	12	16	31,05	32	32
40	60,95	9	9	21	37,95	21	21
50	69,00	5	5	29	48,30	12	12
63	74,75	4	4	36	60,95	7	7
				42	69,00	5	5
				48	74,75	4	4

