



ABS: no UL certificate

Technical data

Material:

Polycarbonate

ABS

Colour:

RAL 7035, light grey

special colour on request

Ingress protection:

IP 66 to EN 60529 (03./09.08 23 09: IP 65)

Surface resistance:

PC: $>10^{15}$ Ohm / IEC 60093

ABS: 4×10^{14} Ohm / IEC 60093

Disruptive strength:

PC: >30 KV/mm IEC 60243-1

ABS: 24 KV/mm IEC 60243-1

Impact resistance:

7 Joule to EN 60079-0

Insulation:

fully insulated to VDE 0100

Flammability:

PC: UL 94 V-2

ABS: UL 94 HB

Toxicity:

halogen-free

Temperature range:

PC: CR (chloroprene) seal: -40°C to $+100^{\circ}\text{C}$

ABS: CR (chloroprene) seal: -40°C to $+60^{\circ}\text{C}$

- Light plastic enclosure for industrial applications
- Polycarbonate enclosure with standard or transparent lid
- ABS enclosure with standard lid
- Optional: EMC version coated

Included in delivery

Plastic enclosure consisting of lid, seal, incl. captive +/- stainless steel screws, base with 2 self-tapping fastening screws for internal mounting

Polycarbonate / ABS

Product range

Order No. Polycarbonate enclosure	Order No. Polycarbonate enclosure with transparent lid	Order No. ABS enclosure	Dimensions (mm) W x L x H	DIN rail		External mounting brackets	Mounting plate Pertinax thickness in mm	Silicone lid seal up to +130°	Table feet rubber	PC external hinge approx. 150° 1)	Sealable lid screws 2)	EMC version aluminized
				TS 15	TS 35							
03.05 05 04	33.05 05 04	09.05 05 04	50 x 52 x 35				1,5					•
03.05 07 04	33.05 07 04	09.05 07 04	50 x 65 x 35	•			1,5	•				•
03.08 08 06	33.08 08 06	09.08 08 06	80 x 82 x 55	•		•	1,5	•	•		•	•
03.08 08 09	33.08 08 09	09.08 08 09	80 x 82 x 85	•		•	1,5	•	•		•	•
03.08 12 06	33.08 12 06	09.08 12 06	80 x 120 x 55	•		•	1,5	•	•	•	•	•
03.08 12 09	33.08 12 09	09.08 12 09	80 x 120 x 85	•		•	1,5	•	•	•	•	•
03.08 16 06	33.08 16 06	09.08 16 06	80 x 160 x 55	•		•	1,5	•	•	•	•	•
03.08 16 09	33.08 16 09	09.08 16 09	80 x 160 x 85	•		•	1,5	•	•	•	•	•
03.08 23 09		09.08 23 09	80 x 230 x 85	•		•	1,5	•	•	•	•	•
03.12 12 06	33.12 12 06	09.12 12 06	120 x 122 x 55		•	•	2	•	•	•	•	•
03.12 12 09	33.12 12 09	09.12 12 09	120 x 122 x 85		•	•	2	•	•	•	•	•
03.12 12 11	33.12 12 11	09.12 12 11	120 x 122 x 105		•	•	2	•	•	•	•	•
03.12 16 09	33.12 16 09	09.12 16 09	120 x 160 x 90		•	•	2	•	•	•	•	•
03.12 16 14	33.12 16 14	09.12 16 14	120 x 160 x 140		•	•	2	•	•	•	•	•
03.12 20 08	33.12 20 08	09.12 20 08	120 x 200 x 75		•	•	2	•	•	•	•	•
03.12 20 09	33.12 20 09	09.12 20 09	120 x 200 x 90		•	•	2	•	•	•	•	•
03.12 24 10	33.12 24 10	09.12 24 10	120 x 240 x 100		•	•	2	•	•	•	•	•
03.15 20 08	33.15 20 08	09.15 20 08	150 x 200 x 75		•	•	2	•	•	•	•	•
03.16 24 09	33.16 24 09	09.16 24 09	160 x 240 x 90		•	•	2,5 ³⁾	•	•	•	•	•
03.16 24 12	33.16 24 12	09.16 24 12	160 x 240 x 120		•	•	2,5	•	•	•	•	•
03.16 36 10	-	09.16 36 10	160 x 360 x 100		•	•	2,5	•	•	•	•	•
03.20 36 15	33.20 36 15	09.20 36 15	200 x 360 x 149		•		2,5	•	•	•	•	•
03.23 30 09	33.23 30 09	09.23 30 09	230 x 300 x 85		•	•	2	•	•	•	•	•
03.23 30 11	33.23 30 11	09.23 30 11	230 x 300 x 110		•	•	2	•	•	•	•	•
-	-	09.40 36 15	400 x 360 x 150		•		2,5 ³⁾	•	•	•	•	•

1) Please quote mounting side A-D when ordering.

2) Stainless steel

3) Galvanized sheet steel

Transparent lid for ABS enclosure not available.

Accessories

Small table feet (for sizes up to xx.15 20 08)	10.03 40 01
Small table feet (for sizes up to xx.16 24 19)	10.03 40 02
Threaded inserts M4 (10 pcs.)	10.03 70 04
Threaded inserts M3 (10 pcs.)	10.03 70 03
Set of external hinges (2 pcs.)	10.02 12 01

Terminal mounting

Make	Phoenix															Earthing bar 2.5 mm ² with cable lug max. 10 mm ²	Earthing screw M4 with cable lug max. 6 mm ²	M6 with cable lug max. 35 mm ²	Earth connections as required
DIN rail TS 15	X	X	X																
DIN rail TS 35				X	X	X	X	X	X	X	X	X	X	X	X				
Voltage (V)	250	500	500	500	800	800	800	800	800	800	800	1000	1000	1000	1000				
Current (A)	24	24	32	17,5	24	24	32	41	57	76	125	150	232	309	415				
Nom. cross section (mm ²)	2,5	2,5	4	1,5	2,5	2,5	4	6	10	16	35	50	95	150	240				
Terminal width (mm)	5,2	5,2	6,2	4,2	5,2	5,2	6,2	8,2	10,2	12,2	16	20	25	31	36				
Terminal type																			
Type	MBK 2,5 E	MBK 3 / E-Z	MBK 5 / E-Z	UK 1,5 N	UK 2,5 N	UK 3 N	UK 5 N	UK 6 N	UK 10 N	UK 16 N	UK 35	UKH 50	UKH 95	UKH 150	UKH 240				
03/09/33.05 05 04																			
03/09/33.05 07 04																	1		
03/09/33.08 08 06	7	7	5	6	5												2		
03/09/33.08 08 09	7	7	5	6	5	5	4	3	2	2	2						2		
03/09/33.08 12 06	14	14	11	15	12												2		
03/09/33.08 12 09	14	14	11	15	12	12	10	8	6	5	4						2		
03/09/33.08 16 06	22	22	18	25	20												2		
03/09/33.08 16 09	22	22	18	25	20	20	17	13	10	8	7						2		
03/09/33.08 23 09	36	36	28	43	34	34	29	22	17	14	12						2		
03/09/33.12 12 06	15	15	12	16	13												2		
03/09/33.12 12 09	15	15	12	16	13	13	11	8	6	5	4						2		
03/09/33.12 12 11	15	15	12	16	13	13	11	8	6	5	4	3					2		
03/09/33.12 16 09	22	22	18	25	20	20	17	13	10	8	7						2		
03/09/33.12 16 14	22	22	18	25	20	20	17	13	10	8	7	5	4			5	4		
03/09/33.12 20 08	30	30	24	35	28	28	23	17	14	12						13	4		
03/09/33.12 20 09	30	30	24	35	28	28	23	17	14	12	9					8	4		
03/09/33.12 24 10	38	38	30	45	36	36	30	23	18	15	12	9				16	4		
03/09/33.15 20 08	30	30	24	31	25	25	21	15	12	10						23	4		
03/09/33.16 24 09	38	38	30	44	35	35	30	22	18	15	12					38	4		
03/09/33.16 24 12	38	38	30	44	35	35	30	22	18	15	12	9	7			16	4		
03/09/33.16 36 10	60	60	50	71	57	57	48	36	29	24	19					16	4		
03/09/33.20 36 15	60	60	50	71	57	57	48	36	29	24	19	15	12	9		26	4		
03/09/33.23 30 09	48	48	40	58	47	47	40	30	24	20	16					26	4		
03/09/33.23 30 11	48	48	40	58	47	47	40	30	24	20	16	12				38	4		
09.40 36 15 (A/B)	61*	61*	51*	74*	59*	59*	50*	37*	30*	25*	20*	15*	12	10		23	4		
09.40 36 15 (C/D)	53**	53**	44**	64**	52**	52**	43**	33**	26**	22**	17**	13*	10	8		26	4		

* 2 DIN rails possible = double number of terminals
 ** 3 DIN rails possible = triple number of terminals

Polycarbonate

Terminal mounting

Make	Weidmüller																			
DIN rail TS 15				X	X	X	X													
DIN rail TS 35								X	X	X	X	X	X	X	X	X	X	X	X	X
Voltage (V)	400	400	400	400	250	250	400	500	800	800	800	1000	1000	1000	1000	1000	1000	1000	1000	1000
Current (A)	32	32	32	17,5	17,5	24	32	24	24	32	41	57	76	125	150	192	232	269	309	415
Nom. cross section (mm ²)	4	4	4	1,5	1,5	2,5	4	2,5	2,5	4	6	10	16	35	50	70	95	120	150	240
Terminal width (mm)	38	52	92	3,5	5,1	5,1	6,1	5,1	5,1	6,1	7,9	9,9	11,9	16	18,5	20,5	27	27	32	36
Terminal type																				
Type	BK 4 (4-pole)	BK 6 (6-pole)	BK 12 (12-pole)	WDU 1,5 / R 3,5	AKZ 1,5	AKZ 2,5	AKZ 4	WDU 2,5 N	WDU 2,5	WDU 4	WDU 6	WDU 10	WDU 16	WDU 35	WDU 50 N	WDU 70 N	WDU 70 / 95	WDU 95 / 120 N	WDU 120 / 150	WDU 240
03/09/33.05 05 04	1																			
03/09/33.05 07 04	1																			
03/09/33.08 08 06	1	1		5	5	4	8		6											
03/09/33.08 08 09	1	1		5	5	4	8		6											
03/09/33.08 12 06				12	12	10	18		13											
03/09/33.08 12 09				12	12	10	18		13											
03/09/33.08 16 06				20	20	17	30		21											
03/09/33.08 16 09				20	20	17	30		21											
03/09/33.08 23 09				35	35	29	31		35											
03/09/33.12 12 06				13	13	11	20		14											
03/09/33.12 12 09				13	13	11	20	14	14	12	9	7	5	4						
03/09/33.12 12 11				13	13	11	20	14	14	12	9	7	5	4	4	3				
03/09/33.12 16 09				20	20	17	30	21	21	18	13	11	8	6						
03/09/33.12 16 14				20	20	17	30	21	21	18	13	11	8	6	6	5				
03/09/33.12 20 08				28	28	23	41	29	29	24	18	15								
03/09/33.12 20 09				28	28	23	41	29	29	24	18	15	11	8						
03/09/33.12 24 10				36	36	30	53	37	37	31	24	19	15	11	9					
03/09/33.15 20 08				25	25	21	37	26	26	21	18	13								
03/09/33.16 24 09				36	36	30	53	37	37	31	24	19	15	11						
03/09/33.16 24 12				36	36	30	53	37	37	31	24	19	15	11	10	9				
03/09/33.16 36 10				58	58	49	85	59	59	49	38	30	24	18						
03/09/33.20 36 15				58	58	49	85	59	59	49	38	30	24	18	17	14	11			
03/09/33.23 30 09				48	48	40	70	48	48	40	31	25	20	15						
03/09/33.23 30 11				48	48	40	70	48	48	40	31	25	20	15	14	11				
09.40 36 15 (A/B)				60*	60*	50*	88*	61*	61*	51*	39*	31*	25*	19*	16*	15	11			
09.40 36 15 (C/D)				52**	52**	44**	77**	53**	53**	44**	34**	27**	22*	16*	14*	13	9			

* 2 DIN rails possible = double number of terminals

** 3 DIN rails possible = triple number of terminals

Earthing bar and earth connection see terminal mounting Phoenix

Accessories



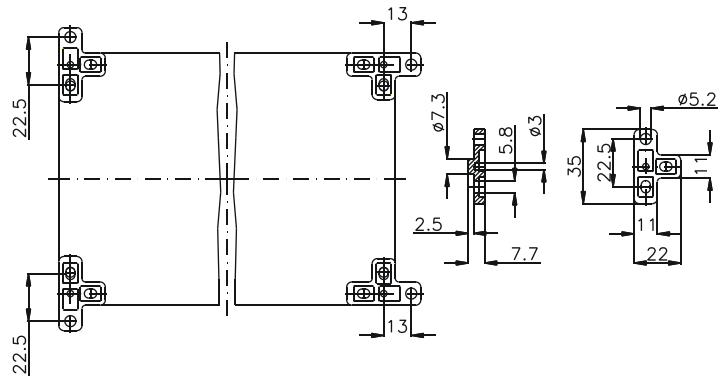
Mounting plate
for fitting electro-mechanical components

Order No.	for enclosure type	Order No.	for enclosure type
10.01 20 01	03/09/33.05 05 04	10.01 20 07	03/09/33.12 16 14
10.01 20 02	03/09/33.05 07 04	10.01 20 08	03/09/33.12 20 08
10.01 20 03	03/09/33.08 08 06	10.01 20 08	03/09/33.12 20 09
10.01 20 03	03/09/33.08 08 09	10.01 20 09	03/09/33.12 24 10
10.01 20 04	03/09/33.08 12 06	10.01 20 10	03/09/33.15 20 08
10.01 20 04	03/09/33.08 12 09	10.01 20 11	03/09/33.16 24 09
10.01 20 05	03/09/33.08 16 06	10.01 20 11	03/09/33.16 24 12
10.01 20 05	03/09/33.08 16 09	10.01 20 12	03/09/33.16 36 10
10.01 20 16	03/09/33.08 23 09	10.01 20 13	03/09/33.20 36 15
10.01 20 06	03/09/33.12 12 06	10.01 20 14	03/09/33.23 30 09
10.01 20 06	03/09/33.12 12 09	10.01 20 14	03/09/33.23 30 11
10.01 20 06	03/09/33.12 12 11	10.01 20 15	03/09/33.40 36 15
10.01 20 07	03/09/33.12 16 09		



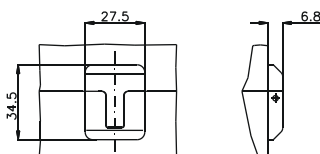
External mounting brackets (set = 4 pcs.)

Order No. **10.03 12 01**



External hinge (set = 2 pcs.)

Order No. **10.02 12 01**



Threaded inserts

Order No.

10.03 70 03	Set with 10 pcs. M3
10.03 70 04	Set with 10 pcs. M4 only for enclosure ...16 36 10; ...20 36 15; ...40 36 15

Type: . . .05 05 04

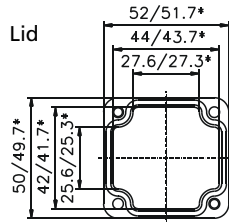
External dimensions: 50 x 52 x 35 mm

Weight: 70 g

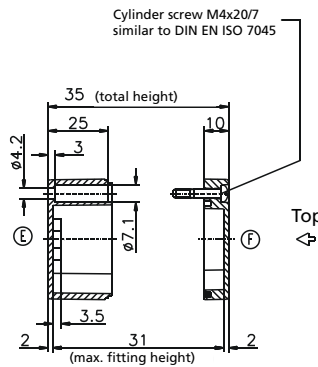
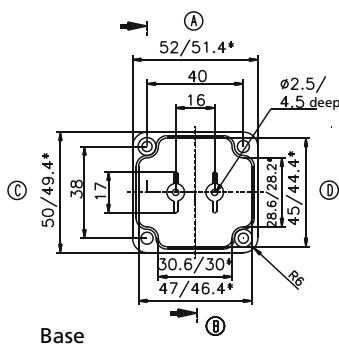
DIN rail length in mm	max. fitting length in mm	Mounting plate (thickness in mm)	External mounting brackets	External hinge* set	EMC version	Self-adhesive rubber feet set	Silicone lid seal	Sealable lid screw in steel
		1,5			•			

Maximum number of cable glands to DIN 50262*

M	Corner dim.	Side		PG	Corner dim.	Side	
		A/B	C/D			A/B	C/D
12	17,25	2	1	7	17,25	2	1
16	25,30			9	21,85	1	1
20	27,60			11	25,30		
25	37,95			13,5	27,60		
32	48,30			16	31,05		
40	60,95			21	37,95		
50	69,00			29	48,30		
63	74,75			36	60,95		
				42	69,00		
				48	74,75		



* = Conical form tapering downwards
Free dimensions-tolerance to DIN 16901 - 130



Type: . . .05 07 04

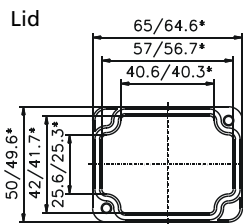
External dimensions: 50 x 65 x 35 mm

Weight: 74 g

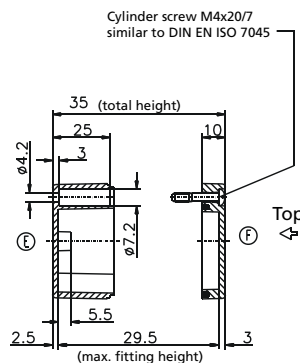
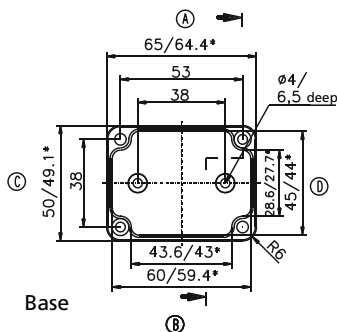
DIN rail length in mm	max. fitting length in mm	Mounting plate (thickness in mm)	External mounting brackets	External hinge* set	EMC version	Self-adhesive rubber feet set	Silicone lid seal	Sealable lid screw in steel
TS 15		1,5			•		•	

Maximum number of cable glands to DIN 50262*

M	Corner dim.	Side		PG	Corner dim.	Side	
		A/B	C/D			A/B	C/D
12	17,25	2	2	7	17,25	2	2
16	25,30			9	21,85	2	1
20	27,60			11	25,30		
25	37,95			13,5	27,60		
32	48,30			16	31,05		
40	60,95			21	37,95		
50	69,00			29	48,30		
63	74,75			36	60,95		
				42	69,00		
				48	74,75		



* = Conical form tapering downwards
Free dimensions-tolerance to DIN 16901 - 130



* Please quote mounting side

Type: . . .08 08 06

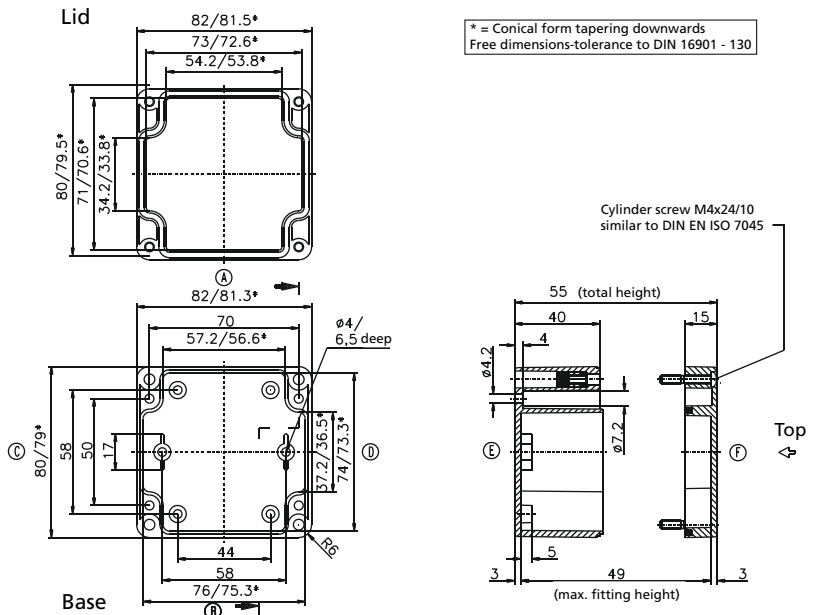
External dimensions: 80 x 82 x 55 mm

Weight: 200 g

DIN rail length in mm	max. fitting length in mm	Mounting plate (thickness in mm)	External mounting brackets	External hinge* set	EMC version	Self-adhesive rubber feet set	Silicone lid seal	Sealable lid screw in steel
TS 15	56	1,5	•		•	•	•	•

Maximum number of cable glands to DIN 50262*

M	Corner dim.	Side		PG	Corner dim.	Side	
		A/B	C/D			A/B	C/D
12	17,25	6	4	7	17,25	6	4
16	25,30	2	2	9	21,85	3	2
20	27,60	2	1	11	25,30	2	1
25	37,95	1	1	13,5	27,60	2	1
32	48,30			16	31,05	2	1
40	60,95			21	37,95	1	1
50	69,00			29	48,30		
63	74,75			36	60,95		
				42	69,00		
				48	74,75		



Type: . . .08 08 09

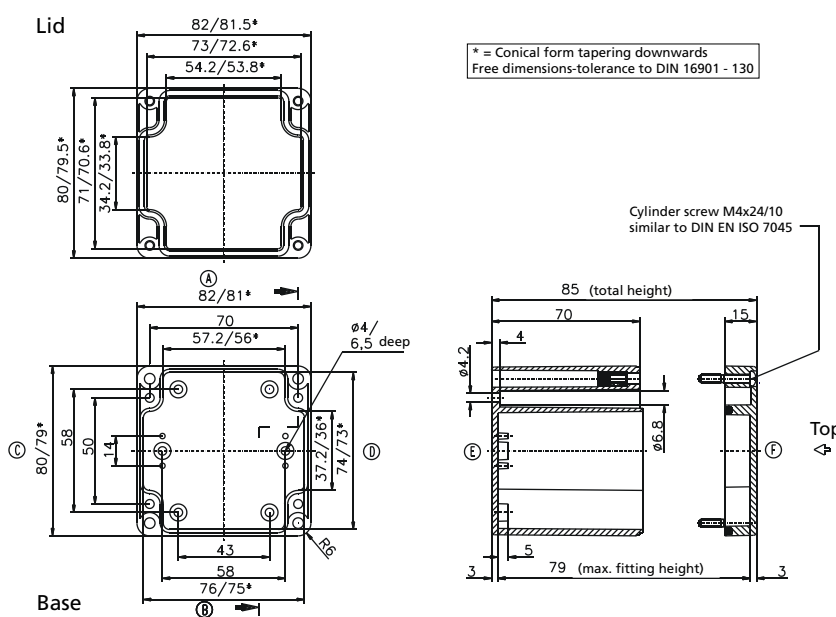
External dimensions: 80 x 82 x 85 mm

Weight: 250 g

DIN rail length in mm	max. fitting length in mm	Mounting plate (thickness in mm)	External mounting brackets	External hinge* set	EMC version	Self-adhesive rubber feet set	Silicone lid seal	Sealable lid screw in steel
TS 15	56	1,5	•		•	•	•	•

Maximum number of cable glands to DIN 50262*

M	Corner dim.	Side		PG	Corner dim.	Side	
		A/B	C/D			A/B	C/D
12	17,25	10	6	7	17,25	10	6
16	25,30	5	2	9	21,85	6	3
20	27,60	4	2	11	25,30	5	2
25	37,95	2	1	13,5	27,60	4	2
32	48,30	1	1	16	31,05	4	2
40	60,95	1		21	37,95	1	1
50	69,00			29	48,30	1	
63	74,75			36	60,95	1	
				42	69,00		
				48	74,75		



* Please quote mounting side

Type: . . .08 12 06

External dimensions: 80 x 120 x 55 mm

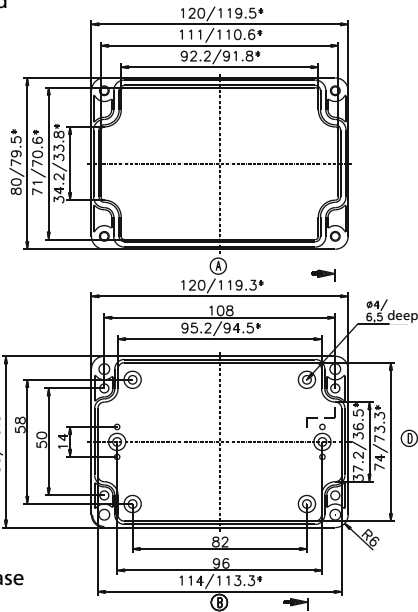
Weight: 240 g

DIN rail length in mm	max. fitting length in mm	Mounting plate (thickness in mm)	External mounting brackets	External hinge* set	EMC version	Self-adhesive rubber feet set	Silicone lid seal	Sealable lid screw in steel
TS 15								
110	94	1,5	•	•	•	•	•	•

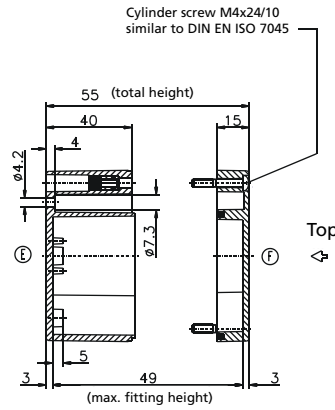
Maximum number of cable glands to DIN 50262*

M	Corner dim.	Side		PG	Corner dim.	Side	
		A/B	C/D			A/B	C/D
12	17,25	10	3	7	17,25	10	3
16	25,30	4	1	9	21,85	6	2
20	27,60	3	1	11	25,30	4	1
25	37,95	2		13,5	27,60	3	1
32	48,30			16	31,05	3	1
40	60,95			21	37,95	2	
50	69,00			29	48,30		
63	74,75			36	60,95		
				42	69,00		
				48	74,75		

Lid



* = Conical form tapering downwards
Free dimensions-tolerance to DIN 16901 - 130



Type: . . .08 12 09

External dimensions: 80 x 120 x 85 mm

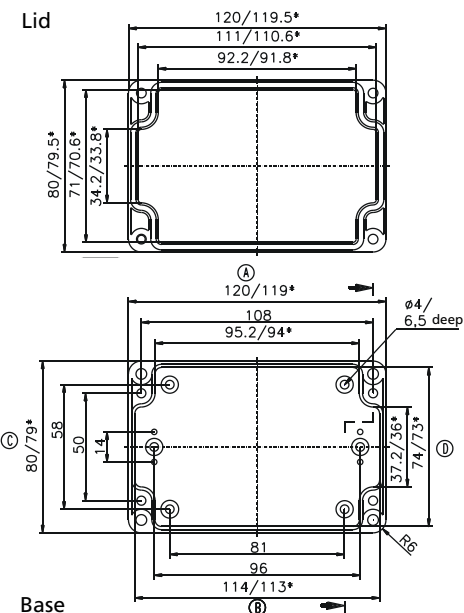
Weight: 280 g

DIN rail length in mm	max. fitting length in mm	Mounting plate (thickness in mm)	External mounting brackets	External hinge* set	EMC version	Self-adhesive rubber feet set	Silicone lid seal	Sealable lid screw in steel
TS 15								
110	94	1,5	•	•	•	•	•	•

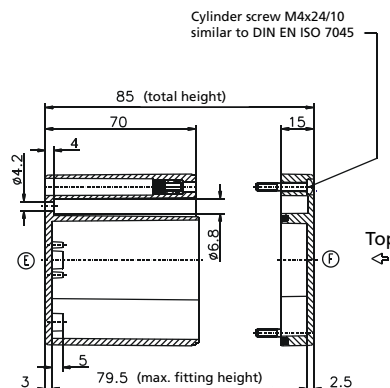
Maximum number of cable glands to DIN 50262*

M	Corner dim.	Side		PG	Corner dim.	Side	
		A/B	C/D			A/B	C/D
12	17,25	16	6	7	17,25	16	6
16	25,30	8	2	9	21,85	11	3
20	27,60	6	2	11	25,30	8	2
25	37,95	3	1	13,5	27,60	6	2
32	48,30	2	1	16	31,05	6	2
40	60,95	1		21	37,95	3	1
50	69,00			29	48,30	2	
63	74,75			36	60,95	1	
				42	69,00		
				48	74,75		

Lid



* = Conical form tapering downwards
Free dimensions-tolerance to DIN 16901 - 130



* Please quote mounting side

Type: . . .08 16 06

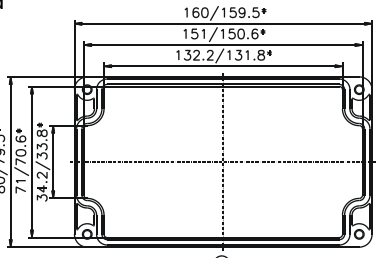
External dimensions: 80 x 160 x 55 mm

Weight: 270 g

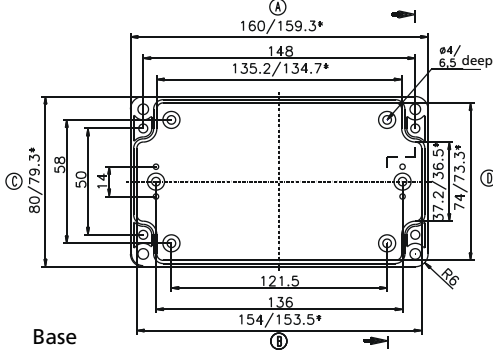
DIN rail length in mm	max. fitting length in mm	Mounting plate (thickness in mm)	External mounting brackets	External hinge* set	EMC version	Self-adhesive rubber feet set	Silicone lid seal	Sealable lid screw in steel
TS 15								
150	134	1,5	•	•	•	•	•	•

Maximum number of cable glands to DIN 50262*

Lid

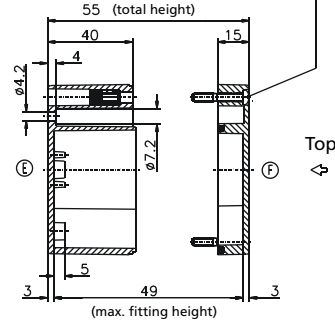


* = Conical form tapering downwards
Free dimensions-tolerance to DIN 16901 - 130



Base

Cylinder screw M4x24/10 similar to DIN EN ISO 7045



Top

M	Corner dim.	Side		PG	Corner dim.	Side	
		A/B	C/D			A/B	C/D
12	17,25	16	4	7	17,25	14	4
16	25,30	6	2	9	21,85	8	2
20	27,60	5	1	11	25,30	6	1
25	37,95	3	1	13,5	27,60	5	1
32	48,30			16	31,05	4	1
40	60,95			21	37,95	3	
50	69,00			29	48,30		
63	74,75			36	60,95		
				42	69,00		
				48	74,75		

Type: . . .08 16 09

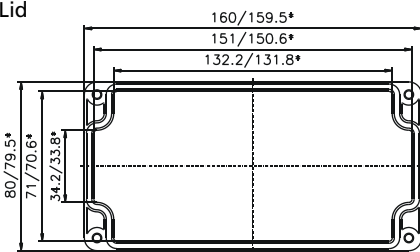
External dimensions: 80 x 160 x 85 mm

Weight: 340 g

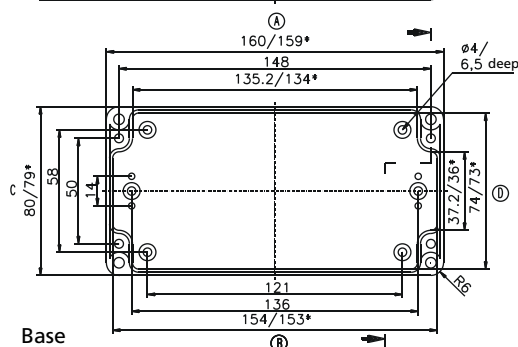
DIN rail length in mm	max. fitting length in mm	Mounting plate (thickness in mm)	External mounting brackets	External hinge* set	EMC version	Self-adhesive rubber feet set	Silicone lid seal	Sealable lid screw in steel
TS 15								
150	134	1,5	•	•	•	•	•	•

Maximum number of cable glands to DIN 50262*

Lid

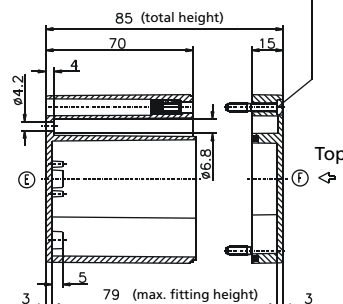


* = Conical form tapering downwards
Free dimensions-tolerance to DIN 16901 - 130



Base

Cylinder screw M4x24/10 similar to DIN EN ISO 7045



Top

M	Corner dim.	Side		PG	Corner dim.	Side	
		A/B	C/D			A/B	C/D
12	17,25	28	6	7	17,25	28	6
16	25,30	14	3	9	21,85	18	4
20	27,60	9	2	11	25,30	12	2
25	37,95	5	1	13,5	27,60	9	2
32	48,30	3	1	16	31,05	8	2
40	60,95	2		21	37,95	5	1
50	69,00	2		29	48,30	3	
63	74,75			36	60,95	2	
				42	69,00	2	
				48	74,75		

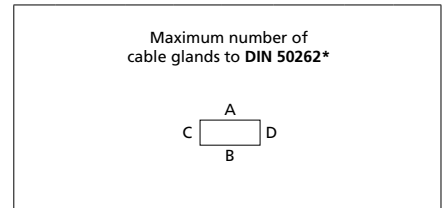
* Please quote mounting side

Type: . . .08 23 09

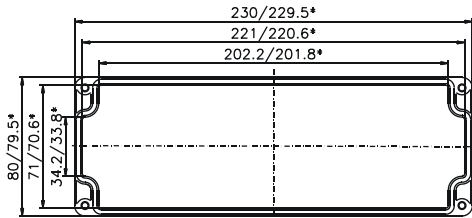
External dimensions: 80 x 230 x 85 mm

Weight: 600 g

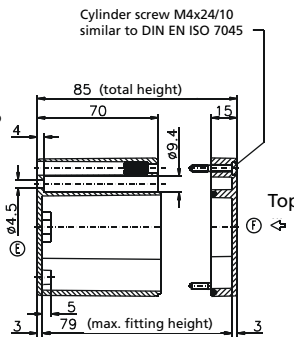
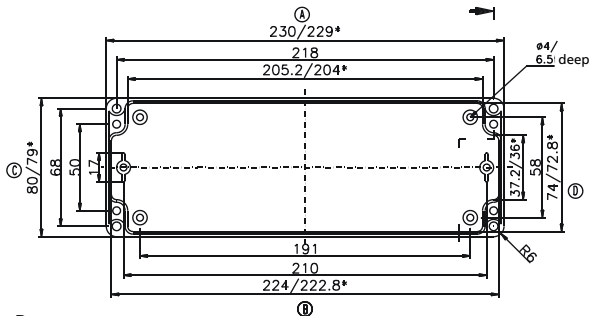
DIN rail length in mm	max. fitting length in mm	Mounting plate (thickness in mm)	External mounting brackets	External hinge* set	EMC version	Self-adhesive rubber feet set	Silicone lid seal	Sealable lid screw in steel
TS 15								
218	204	1,5	•	•	•	•	•	•



Lid



* = Conical form tapering downwards
Free dimensions-tolerance to DIN 16901 - 130



Base

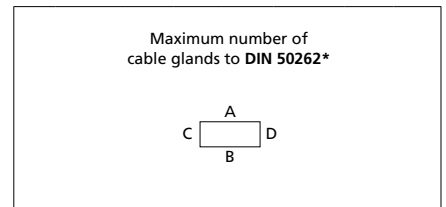
M	Corner dim.	Side		PG	Corner dim.	Side	
		A/B	C/D			A/B	C/D
12	17,25	40	6	7	17,25	40	6
16	25,30	18	3	9	21,85	27	3
20	27,60	14	2	11	25,30	17	2
25	37,95	7	1	13,5	27,60	14	2
32	48,30	4	1	16	31,05	12	2
40	60,95	3		21	37,95	7	1
50	69,00			29	48,30	4	
63	74,75			36	60,95	3	
				42	69,00		
				48	74,75		

Type: . . .12 12 06

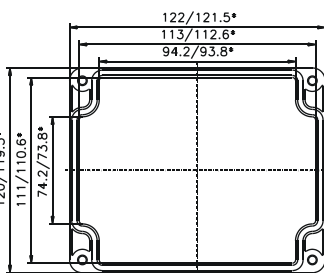
External dimensions: 120 x 122 x 55 mm

Weight: 587 g

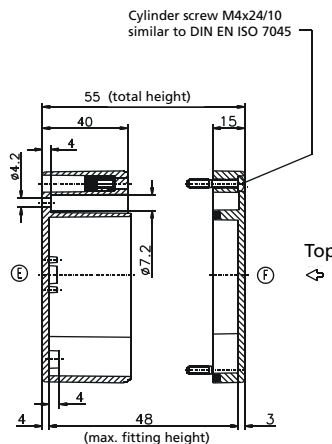
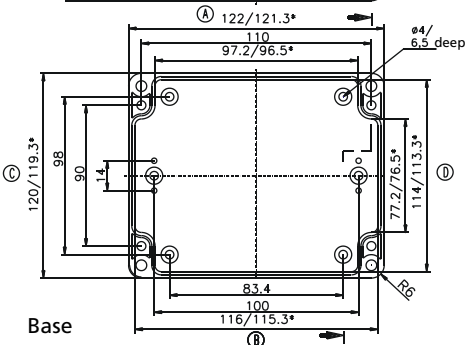
DIN rail length in mm	max. fitting length in mm	Mounting plate (thickness in mm)	External mounting brackets	External hinge* set	EMC version	Self-adhesive rubber feet set	Silicone lid seal	Sealable lid screw in steel
TS 35								
110	96	2	•	•	•	•	•	•



Lid



* = Conical form tapering downwards
Free dimensions-tolerance to DIN 16901 - 130



Base

M	Corner dim.	Side		PG	Corner dim.	Side	
		A/B	C/D			A/B	C/D
12	17,25	11	8	7	17,25	11	8
16	25,30	4	3	9	21,85	6	4
20	27,60	4	3	11	25,30	4	3
25	37,95	2	2	13,5	27,60	4	3
32	48,30			16	31,05	3	2
40	60,95			21	37,95	2	2
50	69,00			29	48,30		
63	74,75			36	60,95		
				42	69,00		
				48	74,75		

* Please quote mounting side

Type: . . .12 12 09

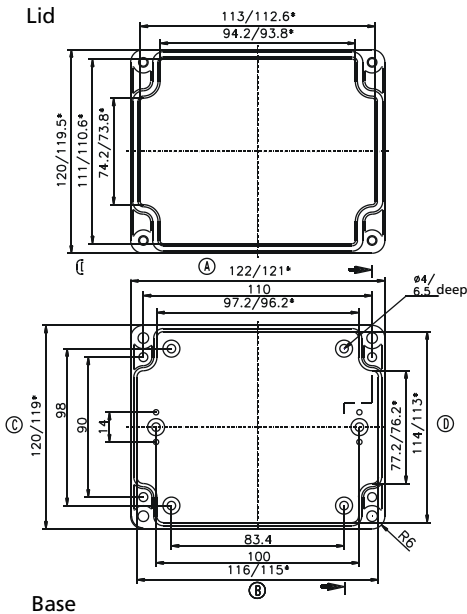
External dimensions: 120 x 122 x 85 mm

Weight: 430 g

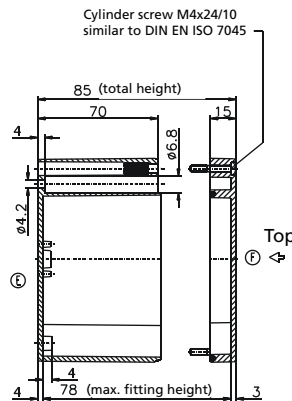
DIN rail length in mm	max. fitting length in mm	Mounting plate (thickness in mm)	External mounting brackets	External hinge* set	EMC version	Self-adhesive rubber feet set	Silicone lid seal	Sealable lid screw in steel
TS 35								
110	96	2	•	•	•	•	•	•

Maximum number of cable glands to DIN 50262*

M	Corner dim.	Side		PG	Corner dim.	Side	
		A/B	C/D			A/B	C/D
12	17,25	20	14	7	17,25	20	14
16	25,30	9	6	9	21,85	12	9
20	27,60	6	5	11	25,30	9	6
25	37,95	4	2	13,5	27,60	6	5
32	48,30	2	1	16	31,05	6	4
40	60,95	1	1	21	37,95	3	2
50	69,00	1		29	48,30	2	1
63	74,75			36	60,95	1	1
				42	69,00	1	
				48	74,75		



* = Conical form tapering downwards
Free dimensions-tolerance to DIN 16901 - 130



Type: . . .12 12 11

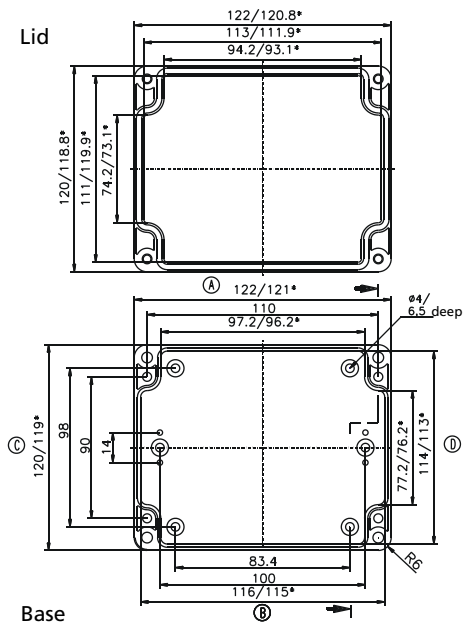
External dimensions: 120 x 122 x 105 mm

Weight: 560 g

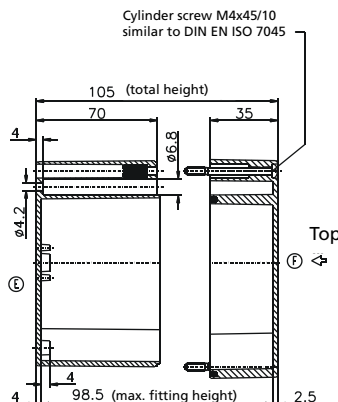
DIN rail length in mm	max. fitting length in mm	Mounting plate (thickness in mm)	External mounting brackets	External hinge* set	EMC version	Self-adhesive rubber feet set	Silicone lid seal	Sealable lid screw in steel
TS 35								
110	96	2	•	•	•	•	•	•

Maximum number of cable glands to DIN 50262*

M	Corner dim.	Side		PG	Corner dim.	Side	
		A/B	C/D			A/B	C/D
12	17,25	20	14	7	17,25	20	14
16	25,30	9	6	9	21,85	12	9
20	27,60	6	5	11	25,30	9	6
25	37,95	4	2	13,5	27,60	6	5
32	48,30	2	1	16	31,05	6	4
40	60,95	1	1	21	37,95	3	2
50	69,00	1		29	48,30	2	1
63	74,75			36	60,95	1	1
				42	69,00	1	
				48	74,75		



* = Conical form tapering downwards
Free dimensions-tolerance to DIN 16901 - 130



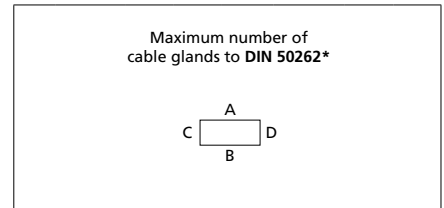
* Please quote mounting side

Type: . . .12 16 09

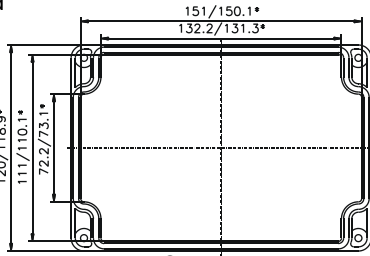
External dimensions: 120 x 160 x 90 mm

Weight: 490 g

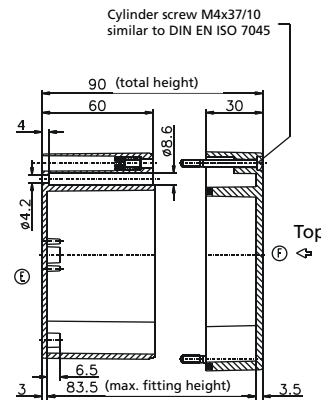
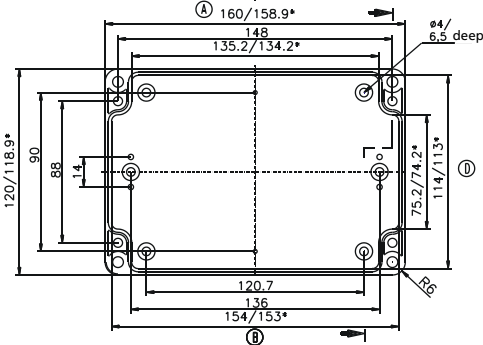
DIN rail length in mm	max. fitting length in mm	Mounting plate (thickness in mm)	External mounting brackets	External hinge* set	EMC version	Self-adhesive rubber feet set	Silicone lid seal	Sealable lid screw in steel
TS 35			•	•	•	•	•	
150	134	2	•	•	•	•	•	



Lid



* = Conical form tapering downwards
Free dimensions-tolerance to DIN 16901 - 130



Base

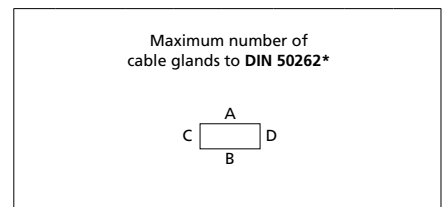
M	Corner dim.	Side		PG	Corner dim.	Side	
		A/B	C/D			A/B	C/D
12	17,25	21	12	7	17,25	21	12
16	25,30	10	6	9	21,85	12	6
20	27,60	9	4	11	25,30	10	6
25	37,95	4	2	13,5	27,60	9	4
32	48,30	3	1	16	31,05	5	3
40	60,95			21	37,95	3	2
50	69,00			29	48,30	2	1
63	74,75			36	60,95		
				42	69,00		
				48	74,75		

Type: . . .12 16 14

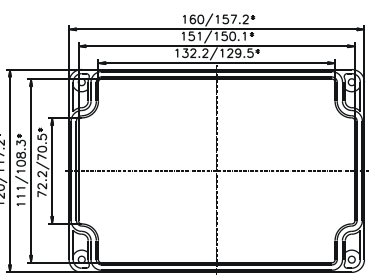
External dimensions: 120 x 160 x 140 mm

Weight: 600 g

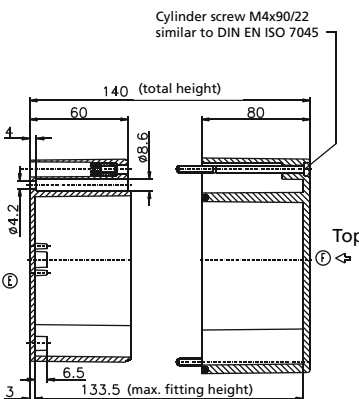
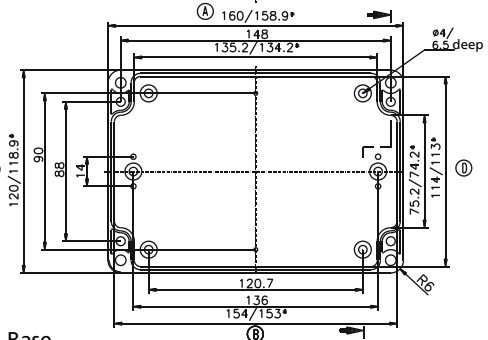
DIN rail length in mm	max. fitting length in mm	Mounting plate (thickness in mm)	External mounting brackets	External hinge* set	EMC version	Self-adhesive rubber feet set	Silicone lid seal	Sealable lid screw in steel
TS 35			•	•	•	•	•	
150	134	2	•	•	•	•	•	



Lid



* = Conical form tapering downwards
Free dimensions-tolerance to DIN 16901 - 130



Base

M	Corner dim.	Side		PG	Corner dim.	Side	
		A/B	C/D			A/B	C/D
12	17,25	21	12	7	17,25	21	12
16	25,30	10	6	9	21,85	12	6
20	27,60	9	4	11	25,30	10	6
25	37,95	4	2	13,5	27,60	9	4
32	48,30	3	1	16	31,05	5	3
40	60,95			21	37,95	3	2
50	69,00			29	48,30	2	1
63	74,75			36	60,95		
				42	69,00		
				48	74,75		

* Please quote mounting side

Type: . . . **12 20 08**

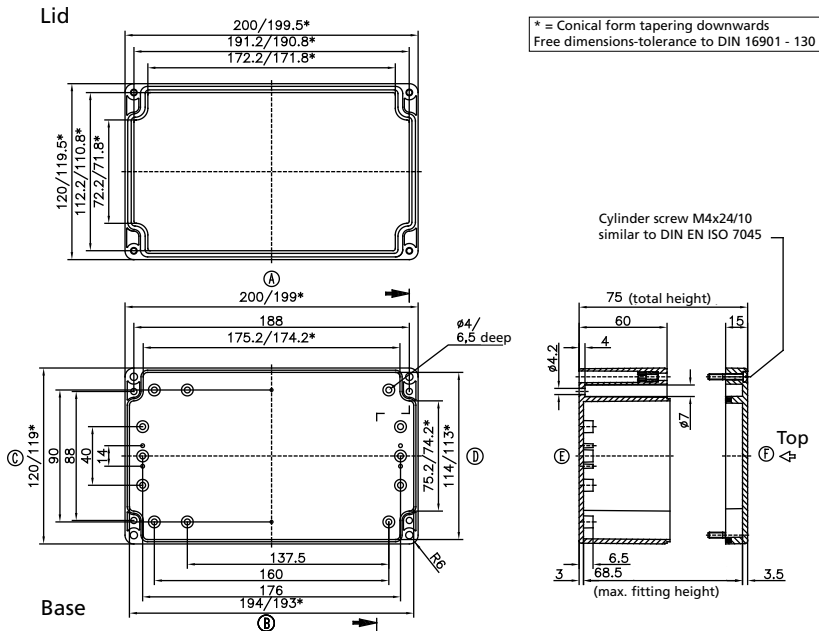
External dimensions: **120 x 200 x 75 mm**

Weight: **492 g**

DIN rail length in mm	max. fitting length in mm	Mounting plate (thickness in mm)	External mounting brackets	External hinge* set	EMC version	Self-adhesive rubber feet set	Silicone lid seal	Sealable lid screw in steel
TS 35								
190	174	2	•	•	•	•	•	•

Maximum number of cable glands to DIN 50262*

M	Corner dim.	Side		PG	Corner dim.	Side	
		A/B	C/D			A/B	C/D
12	17,25	30	15	7	17,25	30	15
16	25,30	14	6	9	21,85	20	9
20	27,60	12	6	11	25,30	12	6
25	37,95	5	3	13,5	27,60	12	6
32	48,30	3	2	16	31,05	10	4
40	60,95			21	37,95	5	2
50	69,00			29	48,30	3	2
63	74,75			36	60,95		
				42	69,00		
				48	74,75		



Type: . . . **12 20 09**

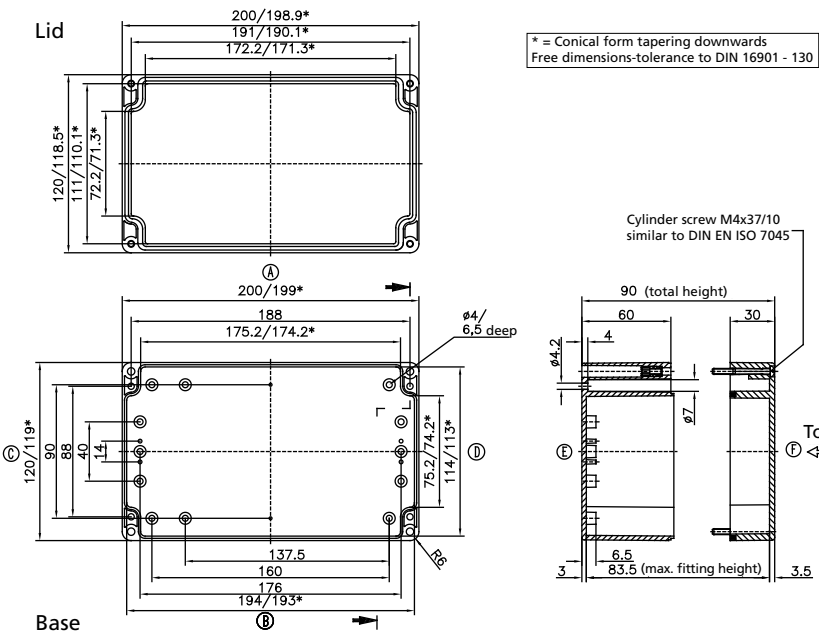
External dimensions: **120 x 200 x 90 mm**

Weight: **600 g**

DIN rail length in mm	max. fitting length in mm	Mounting plate (thickness in mm)	External mounting brackets	External hinge* set	EMC version	Self-adhesive rubber feet set	Silicone lid seal	Sealable lid screw in steel
TS 35								
190	174	2	•	•	•	•	•	•

Maximum number of cable glands to DIN 50262*

M	Corner dim.	Side		PG	Corner dim.	Side	
		A/B	C/D			A/B	C/D
12	17,25	30	12	7	17,25	30	11
16	25,30	14	6	9	21,85	18	6
20	27,60	12	4	11	25,30	12	6
25	37,95	5	2	13,5	27,60	12	4
32	48,30	3	1	16	31,05	10	3
40	60,95			21	37,95	5	2
50	69,00			29	48,30	3	1
63	74,75			36	60,95		
				42	69,00		
				48	74,75		



* Please quote mounting side

Type: . . . **12 24 10**

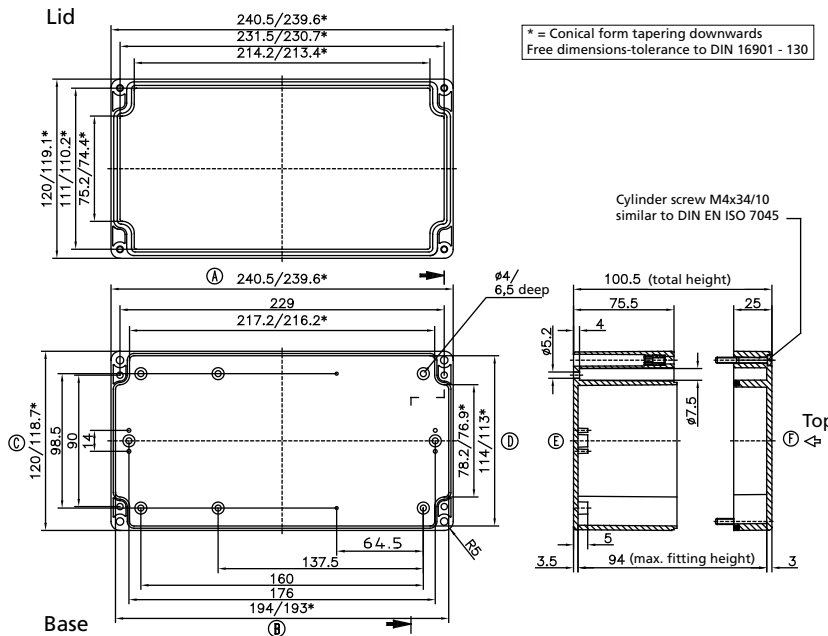
External dimensions: **120 x 240 x 100 mm**

Weight: **670 g**

DIN rail length in mm	max. fitting length in mm	Mounting plate (thickness in mm)	External mounting brackets	External hinge* set	EMC version	Self-adhesive rubber feet set	Silicone lid seal	Sealable lid screw in steel
TS 35								
230	216	2	•	•	•	•	•	

Maximum number of cable glands to DIN 50262*

M	Corner dim.	Side		PG	Corner dim.	Side	
		A/B	C/D			A/B	C/D
12	17,25	48	16	7	17,25	48	16
16	25,30	24	8	9	21,85	30	9
20	27,60	17	5	11	25,30	21	6
25	37,95	10	3	13,5	27,60	17	5
32	48,30	5	1	16	31,05	14	5
40	60,95	3	1	21	37,95	9	3
50	69,00	3	1	29	48,30	5	1
63	74,75			36	60,95	3	1
				42	69,00	3	1
				48	74,75		



Type: . . . **15 20 08**

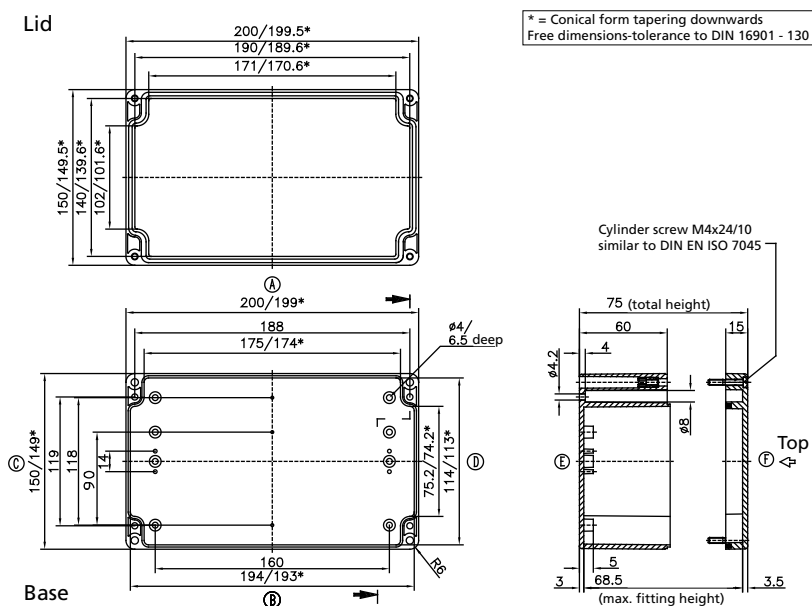
External dimensions: **150 x 200 x 75 mm**

Weight: **666 g**

DIN rail length in mm	max. fitting length in mm	Mounting plate (thickness in mm)	External mounting brackets	External hinge* set	EMC version	Self-adhesive rubber feet set	Silicone lid seal	Sealable lid screw in steel
TS 35								
170	174	2	•	•	•	•	•	•

Maximum number of cable glands to DIN 50262*

M	Corner dim.	Side		PG	Corner dim.	Side	
		A/B	C/D			A/B	C/D
12	17,25	30	17	7	17,25	30	17
16	25,30	14	8	9	21,85	20	9
20	27,60	12	6	11	25,30	14	8
25	37,95	5	3	13,5	27,60	12	6
32	48,30	3	2	16	31,05	10	4
40	60,95			21	37,95	5	3
50	69,00			29	48,30	3	2
63	74,75			36	60,95		
				42	69,00		
				48	74,75		



* Please quote mounting side

Type: . . .16 24 09

External dimensions: 160 x 240 x 90 mm

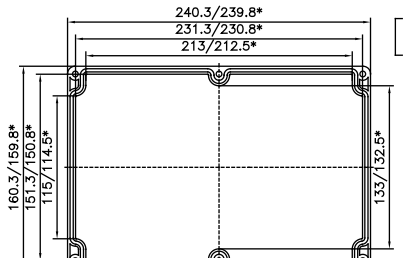
Weight: 830 g

DIN rail length in mm	max. fitting length in mm	Mounting plate (thickness in mm)	External mounting brackets	External hinge* set	EMC version	Self-adhesive rubber feet set	Silicone lid seal	Sealable lid screw in steel
TS 35								
230	214	2,5	•	•	•	•	•	•

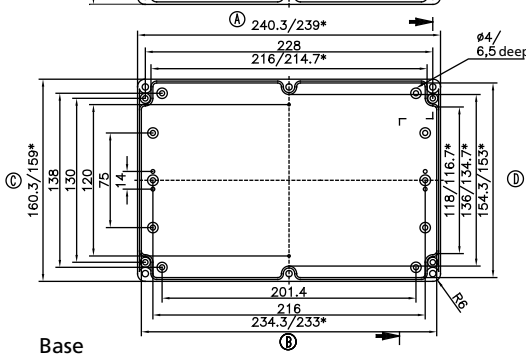
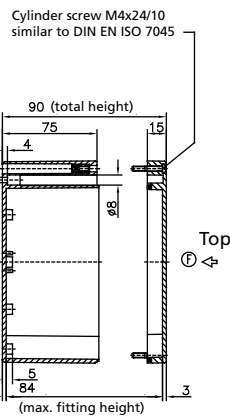
Maximum number of cable glands to DIN 50262*

M	Corner dim.	Side		PG	Corner dim.	Side	
		A/B	C/D			A/B	C/D
12	17,25	40	26	7	17,25	40	26
16	25,30	18	11	9	21,85	24	15
20	27,60	12	8	11	25,30	16	11
25	37,95	8	4	13,5	27,60	12	8
32	48,30	4	2	16	31,05	12	8
40	60,95	2	2	21	37,95	6	4
50	69,00	2	1	29	48,30	4	2
63	74,75			36	60,95	2	2
				42	69,00	2	1
				48	74,75		

Lid



* = Conical form tapering downwards
Free dimensions-tolerance to DIN 16901 - 130



Base

Type: . . .16 24 12

External dimensions: 160 x 240 x 120 mm

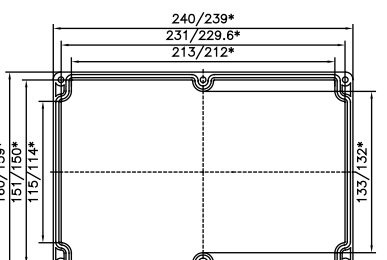
Weight: 970 g

DIN rail length in mm	max. fitting length in mm	Mounting plate (thickness in mm)	External mounting brackets	External hinge* set	EMC version	Self-adhesive rubber feet set	Silicone lid seal	Sealable lid screw in steel
TS 35								
230	214	2,5	•	•	•	•	•	•

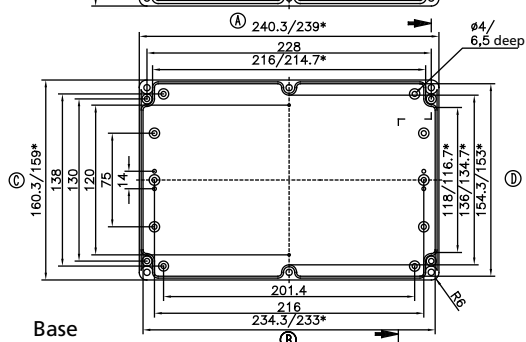
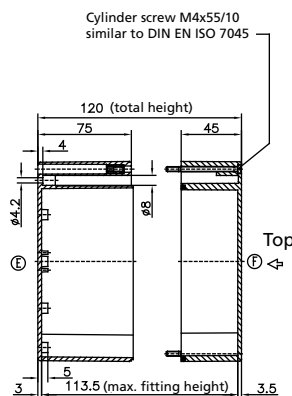
Maximum number of cable glands to DIN 50262*

M	Corner dim.	Side		PG	Corner dim.	Side	
		A/B	C/D			A/B	C/D
12	17,25	40	26	7	17,25	40	26
16	25,30	22	12	9	21,85	24	15
20	27,60	16	9	11	25,30	18	12
25	37,95	8	5	13,5	27,60	16	9
32	48,30	4	3	16	31,05	12	8
40	60,95	2	2	21	37,95	8	5
50	69,00	2	1	29	48,30	4	2
63	74,75			36	60,95	2	2
				42	69,00	2	1
				48	74,75		

Lid



* = Conical form tapering downwards
Free dimensions-tolerance to DIN 16901 - 130



Base

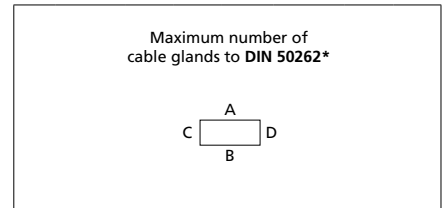
* Please quote mounting side

Type: . . . **16 36 10**

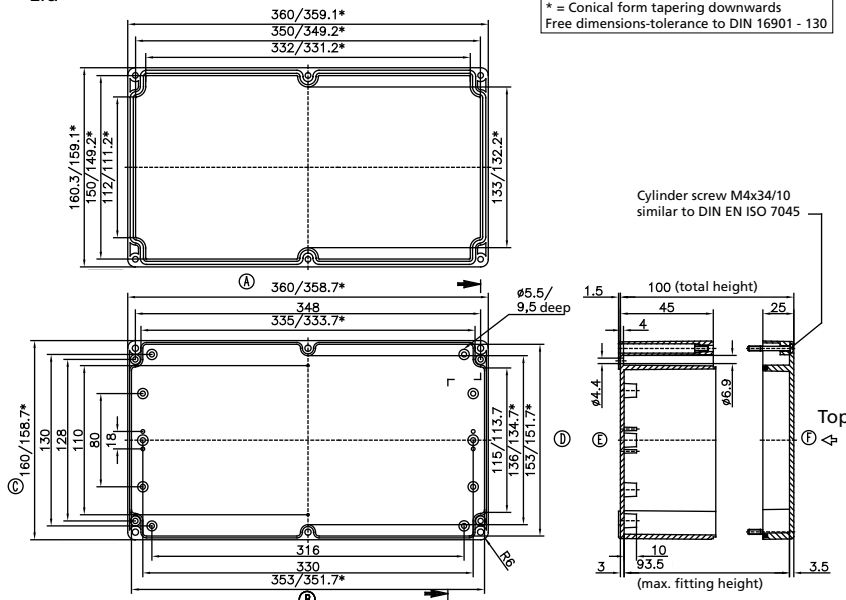
External dimensions: **160 x 360 x 100 mm**

Weight: **1310 g**

DIN rail length in mm	max. fitting length in mm	Mounting plate (thickness in mm)	External mounting brackets	External hinge* set	EMC version	Self-adhesive rubber feet set	Silicone lid seal	Sealable lid screw in steel
TS 35								
345	333	2,5	•	•	•	•	•	



Lid



Base

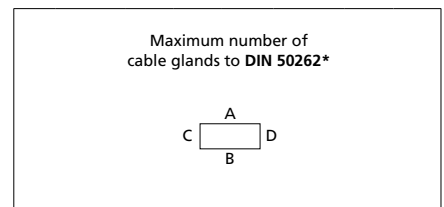
M	Corner dim.	Side		PG	Corner dim.	Side	
		A/B	C/D			A/B	C/D
12	17,25	72	24	7	17,25	72	24
16	25,30	36	12	9	21,85	44	15
20	27,60	28	9	11	25,30	36	11
25	37,95	16	5	13,5	27,60	28	9
32	48,30	8	2	16	31,05	20	6
40	60,95	4	2	21	37,95	16	5
50	69,00	4	1	29	48,30	6	2
63	74,75	4		36	60,95	4	2
				42	69,00	4	1
				48	74,75	4	

Type: . . . **20 36 15**

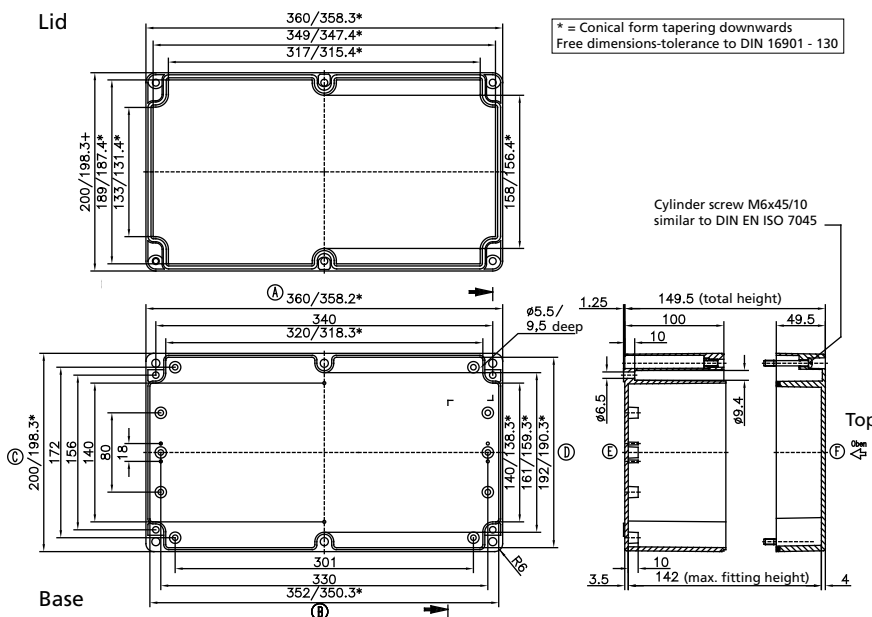
External dimensions: **200 x 360 x 149 mm**

Weight: **2166 g**

DIN rail length in mm	max. fitting length in mm	Mounting plate (thickness in mm)	External mounting brackets	External hinge* set	EMC version	Self-adhesive rubber feet set	Silicone lid seal	Sealable lid screw in steel
TS 35								
345	333	2,5		•	•	•	•	



Lid



Base

M	Corner dim.	Side		PG	Corner dim.	Side	
		A/B	C/D			A/B	C/D
12	17,25	96	35	7	17,25	96	35
16	25,30	44	18	9	21,85	56	24
20	27,60	32	15	11	25,30	44	16
25	37,95	18	6	13,5	27,60	32	15
32	48,30	12	5	16	31,05	30	12
40	60,95	6	2	21	37,95	16	6
50	69,00	4	2	29	48,30	12	4
63	74,75	4	1	36	60,95	6	2
				42	69,00	4	2
				48	74,75	4	1

* Please quote mounting side

Type: . . .23 30 09

External dimensions: 230 x 300 x 85 mm

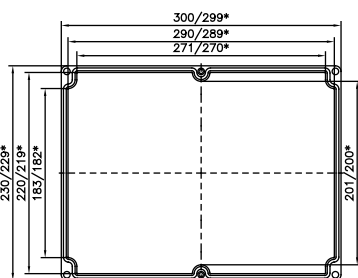
Weight: 1300 g

DIN rail length in mm	max. fitting length in mm	Mounting plate (thickness in mm)	External mounting brackets	External hinge* set	EMC version	Self-adhesive rubber feet set	Silicone lid seal	Sealable lid screw in steel
TS 35								
290	274	2	•	•	•	•	•	

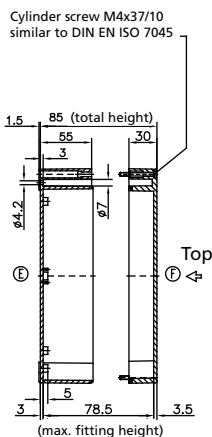
Maximum number of cable glands to DIN 50262*

M	Corner dim.	Side		PG	Corner dim.	Side	
		A/B	C/D			A/B	C/D
12	17,25	42	26	7	17,25	42	26
16	25,30	20	14	9	21,85	24	16
20	27,60	16	9	11	25,30	20	12
25	37,95	6	5	13,5	27,60	16	9
32	48,30	4	4	16	31,05	12	7
40	60,95			21	37,95	6	5
50	69,00			29	48,30	4	3
63	74,75			36	60,95		
				42	69,00		
				48	74,75		

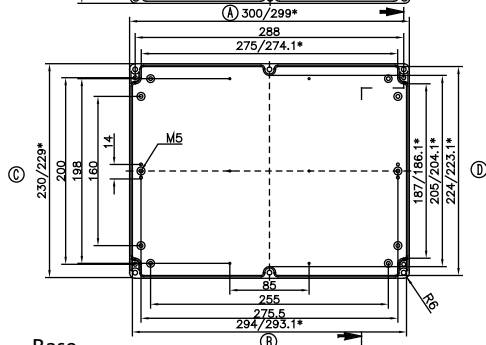
Lid



* = Conical form tapering downwards
Free dimensions-tolerance to DIN 16901 - 130



Base



Type: . . .23 30 11

External dimensions: 230 x 300 x 110 mm

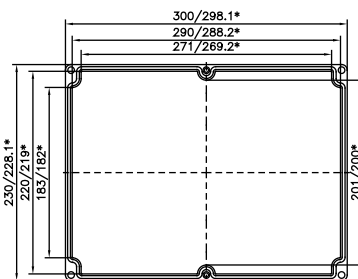
Weight: 1575 g

DIN rail length in mm	max. fitting length in mm	Mounting plate (thickness in mm)	External mounting brackets	External hinge* set	EMC version	Self-adhesive rubber feet set	Silicone lid seal	Sealable lid screw in steel
TS 35								
290	274	2	•	•	•	•	•	

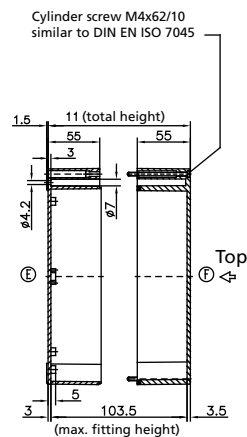
Maximum number of cable glands to DIN 50262*

M	Corner dim.	Side		PG	Corner dim.	Side	
		A/B	C/D			A/B	C/D
12	17,25	42	26	7	17,25	42	26
16	25,30	20	14	9	21,85	24	16
20	27,60	16	9	11	25,30	20	12
25	37,95	6	5	13,5	27,60	16	9
32	48,30	4	4	16	31,05	10	7
40	60,95			21	37,95	6	5
50	69,00			29	48,30	4	3
63	74,75			36	60,95		
				42	69,00		
				48	74,75		

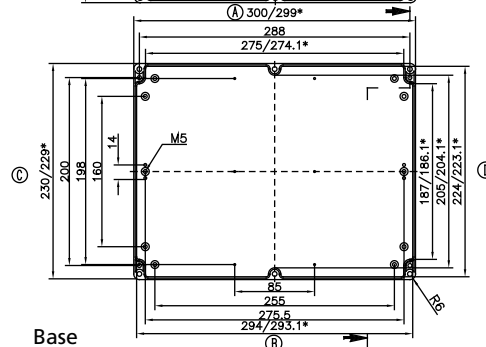
Lid



* = Conical form tapering downwards
Free dimensions-tolerance to DIN 16901 - 130



Base



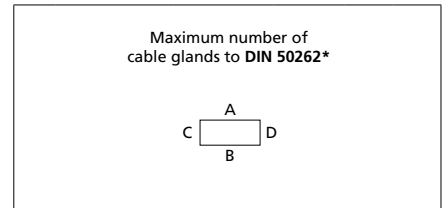
* Please quote mounting side

Type: **09.40 36 15**

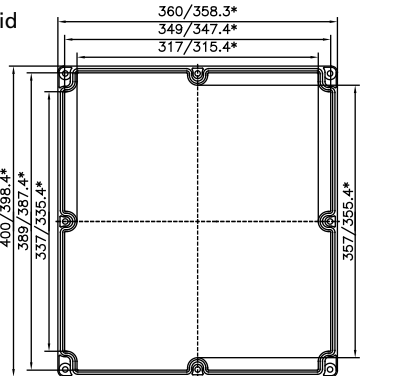
External dimensions: **400 x 360 x 150 mm**

Weight: **2470 g**

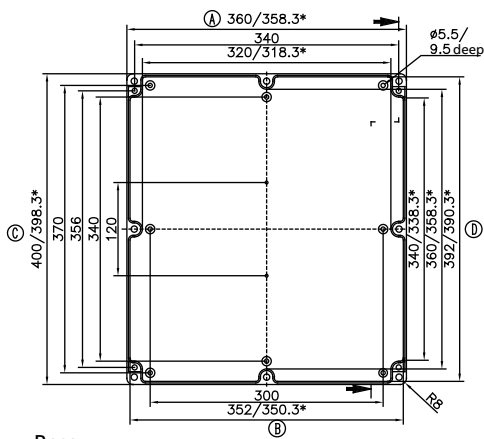
DIN rail length in mm	max fitting length in mm	Mounting plate (thickness in mm)	External mounting brackets	External hinge* set	EMC version	Self-adhesive rubber feet set	Silicone lid seal	Sealable lid screw in steel
TS 35								
345	300	2,5			•	•	•	



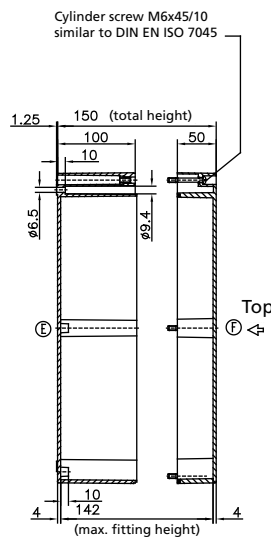
Lid



* = Conical form tapering downwards
Free dimensions-tolerance to DIN 16901 - 130



Base



M	Corner dim.	Side		PG	Corner dim.	Side	
		A/B	C/D			A/B	C/D
12	17,25	102	108	7	17,25	96	102
16	25,30	48	48	9	21,85	66	66
20	27,60	40	40	11	25,30	44	48
25	37,95	18	22	13,5	27,60	36	40
32	48,30	12	12	16	31,05	30	30
40	60,95	6	6	21	37,95	18	18
50	69,00	4	4	29	48,30	12	12
63	74,75	4	4	36	60,95	6	6
				42	69,00	4	4
				48	74,75	4	4

* Please quote mounting side